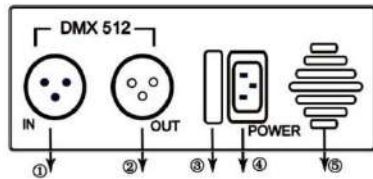


9Channel Mode:

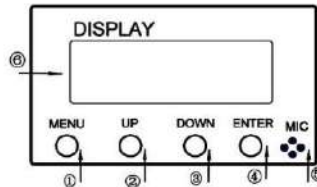
Channel	Function	Introduction	Channel	Function	Introduction
1	Pan Running	0-255	6	Dimming	0-255
2	Tilt Running	0-255	7	Running Speed in Pan/Tilt	0-255
3	Color		8	Auto Mode	60-159
	Choose color	10-139		Sound Mode	160-255
Change the color automatically	140-255 from slow to fast	Pan Running		10-100	
4	Gobo		Tilt Running	101-200	
	Fixed Gobo	8-63	9	Pan, Tilt Running	201-249
	Pattern dither	72-127		Reset	250-255
	Change the pattern automatically	128-255 from slow to fast		Y Reset	101-200
5	Strobe	0-255 Fromslow to fast		X、Y Reset	201-249
				Reset	250-255

Front/Rear Panel:



1. DMX IN
4. Power IN

DMX OUT
5. Cooling vents



3. Fuse
3. Down: Select downward
5. Microphone

1. Menu
2. Up: Select upward
4. Enter (confirm button)
LED 6. display screen

Precautions: "rSt" is displayed after the power is plugged in. The moving head light is resetting. Please do not operate.

The step to start the Auto mode:

Method 1 :

1. Press "MENU" to find "bLnd", and press "ENTER".
2. Press "UP" or "DOWN" to select "Auto" and press "ENTER".

Method 2 :

The AUTO0-AUTO3 button on the remote controller.

The step to start the Sound Active mode:

Method 1 :

1. Press "MENU" to find "Soud", and press "ENTER".
2. Press "UP" or "DOWN" to select "on" and press "ENTER".

Method 2 :

1. Press "MENU" to find "bLnd", and press "ENTER".
2. Press "UP" or "DOWN" to select "Soun" and press "ENTER".

Method 3 :

The SOUND0-SOUND3 button on the remote controller.

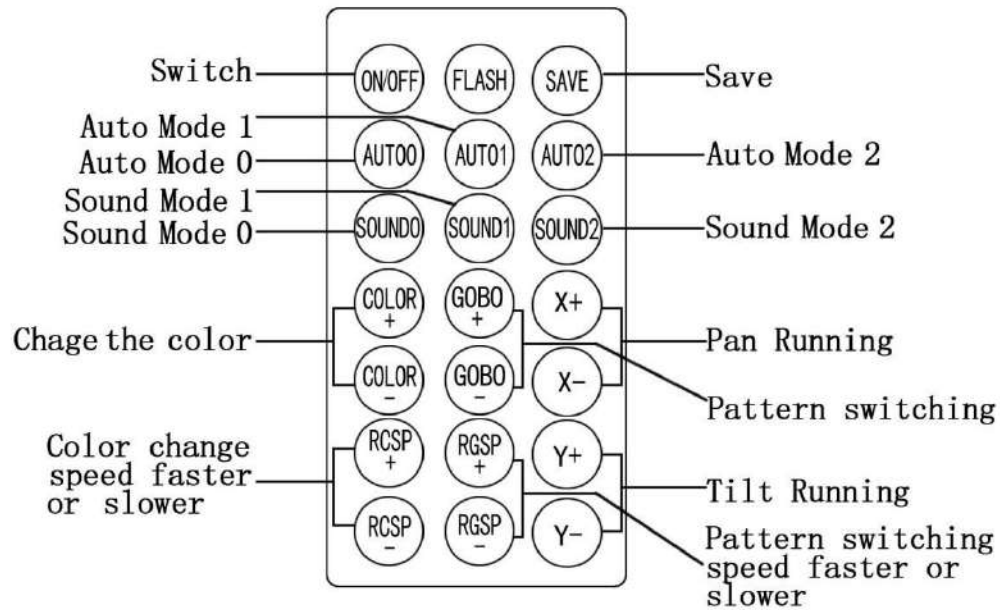
If you have any questions, please contact us, we will help you solve the problem effectively.

Mini Moving Head Gobo Light User's Manual



Please read the instructions carefully before use

Remote control function description:



11Channel mode:

Channel	Function	Introduction
1	Pan Running	0-255
2	Pan Fine-tune	0-255
3	Tilt Running	0-255
4	Tilt Fine-tune	0-255
5	Color	
	Choose color	10-139
	Change the color automatically	140-255 from slow to fast
6	Gobo	
	Fixed Gobo	8-63
	Pattern dither	72-127
	Change the pattern automatically	128-255 from slow to fast

Channel	Function	Introduction
7	Strobe	0-255
8	Dimming	0-255
9	Running Speed in Pan/Tilt	0-255
10	Auto Mode	
	Function of Other Channel	0-59
	Auto Mode	60-159
	Sound Mode	160-255
11	Pan Running	10-100
	Tilt Running	101-200
	Pan, Tilt Running	201-249
	Reset	250-255

Function Instruction:

Addr	A001-A512	512 Address Set
Auto	Aut0	Effect0 (Recommend)
	Aut1	Effect1
	Aut2	Effect2
Soun	Son0	Sound Effect0
	Son1	Sound Effect1
	Son2	Sound Effect2
SET	CHnd	9CH 9Channel Set
		11CH 11Channel Set
	rPAN	no X dynamo corotation
		YES X dynamo reverse rotation
	rtil	no X dynamo corotation
		YES X dynamo reverse rotation
	diSP	YES Display forward
		no Display reverse
LEd	oFF	Close the screen after 5 seconds
	no	Screen open all the time
LoAd	no	
	YES	Restore factory settings

NO.	Icon	FUNCTION
1	ON/OFF	Switch/Rest
2	FLASH	Stroboscopic
3	SAVE	Save (Reboot could continue the previous operation after standby)
4	AUTO0	Auto mode 0
5	AUTO1	Auto mode 1
6	AUTO2	Auto mode 2
7	SOUND0	Sound control mode 0
8	SOUND1	Sound control mode 1
9	SOUND2	Sound control mode 2
10	X+	Pan running: Rotate to the left (in the manual mode)
11	X-	Pan running: Rotate to the right (in the manual mode)
12	Y+	Tilt running: Upward movement (in the manual mode)
13	Y-	Tilt running: Downward movement (in the manual mode)
14	COLOR+	Change color: The color wheel switch to the left color
15	COLOR-	Change color: The color wheel switch to the right color
16	GOBO+	Pattern switching: The gobo wheel switch to the right gobo
17	GOBO-	Pattern switching: The gobo wheel switch to the left gobo
18	RCSP+	Color change speed: Speed up
19	RCSP-	Color change speed: Slow down
20	RGSP+	Pattern switching speed: Speed up
21	RGSP-	Pattern switching speed: Slow down